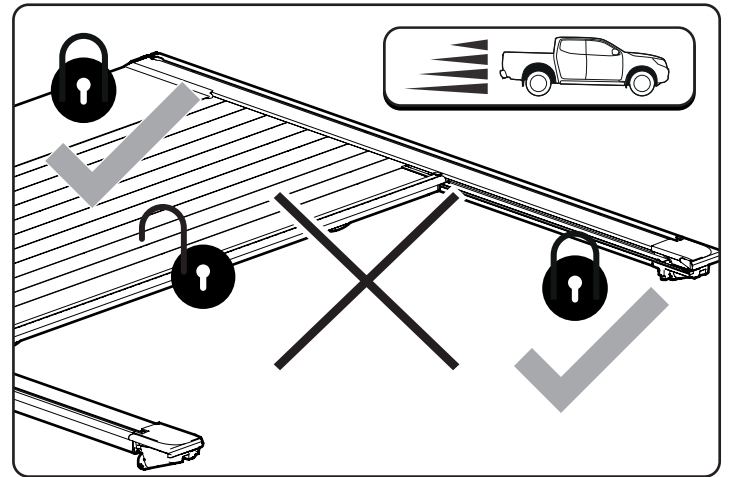
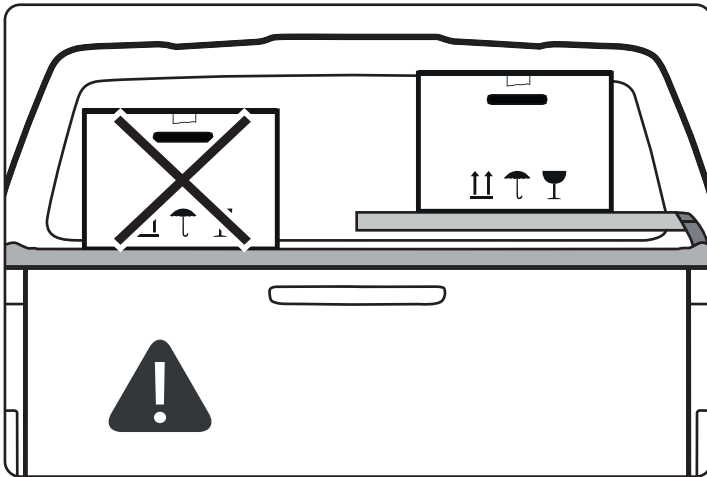
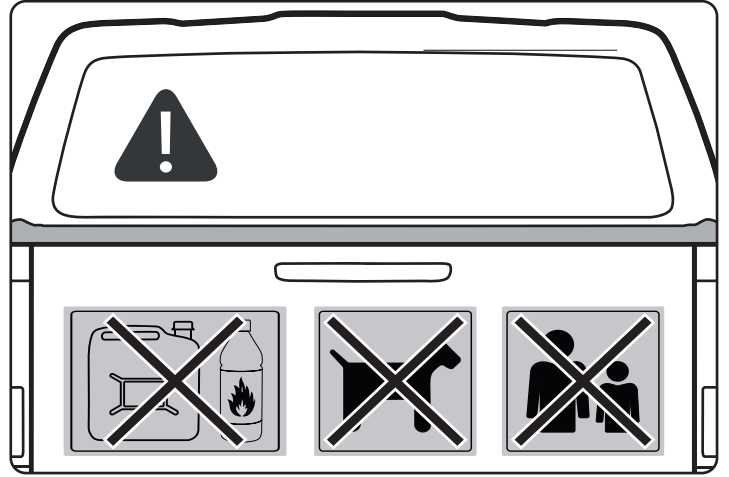
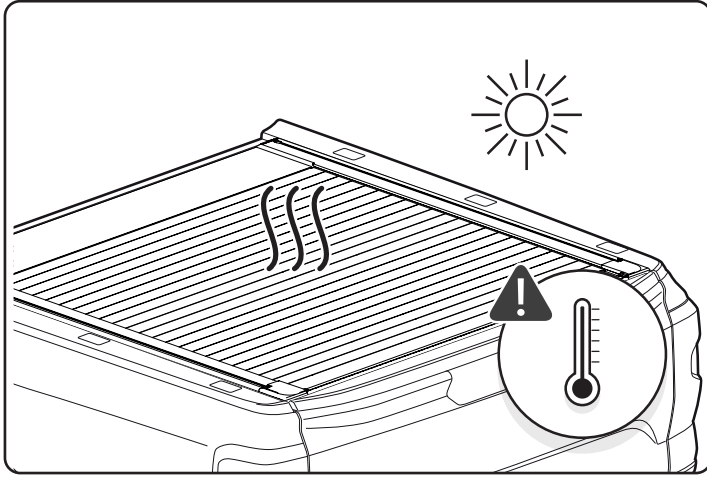




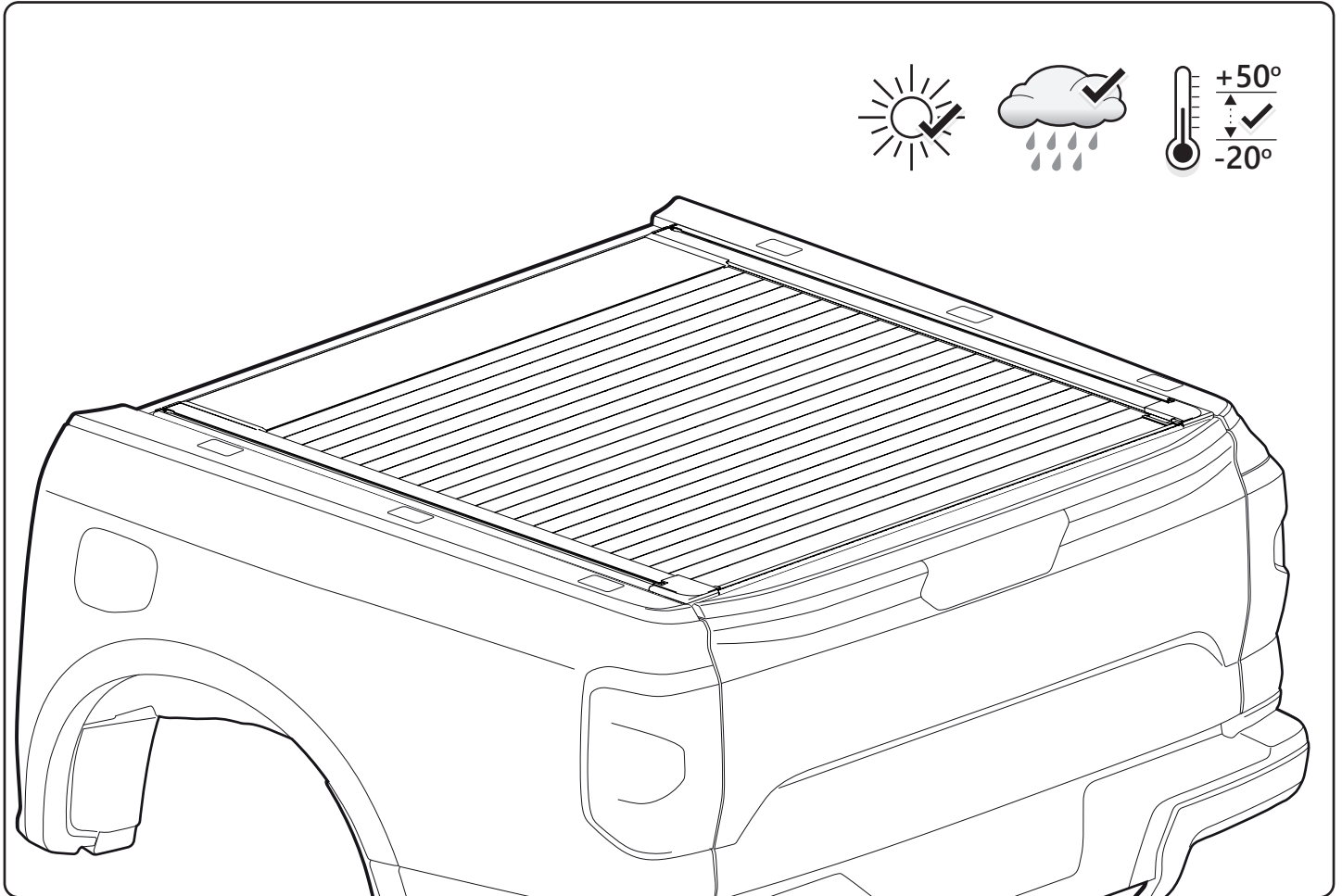
OWNERS MANUAL

MOUNTAIN TOP[®] EVO ROLL COVER

1 WARNINGS

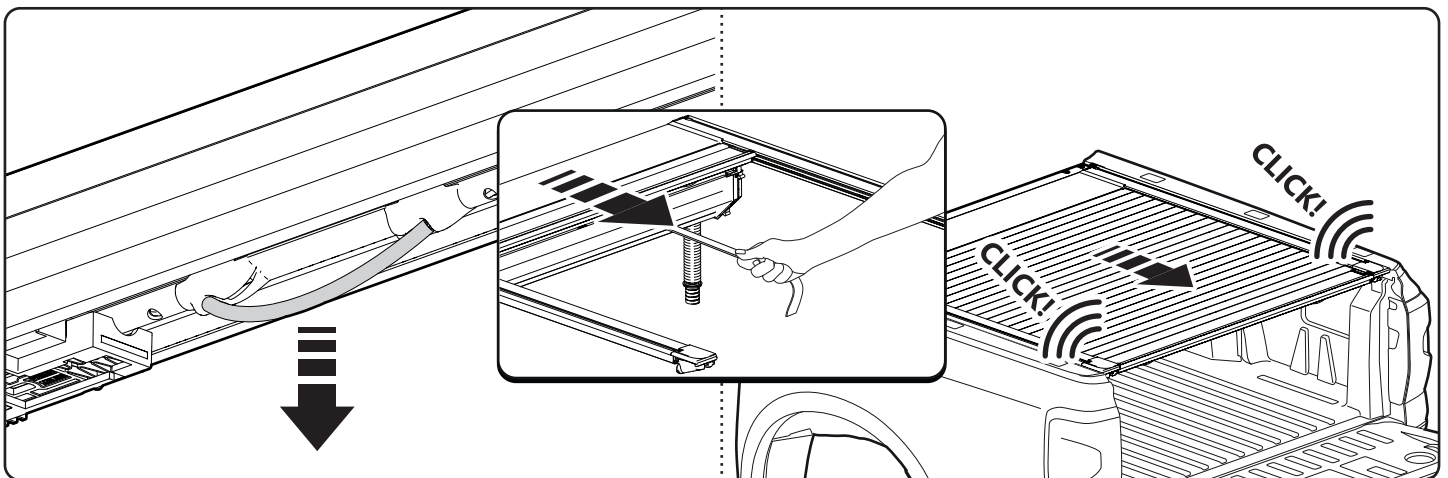
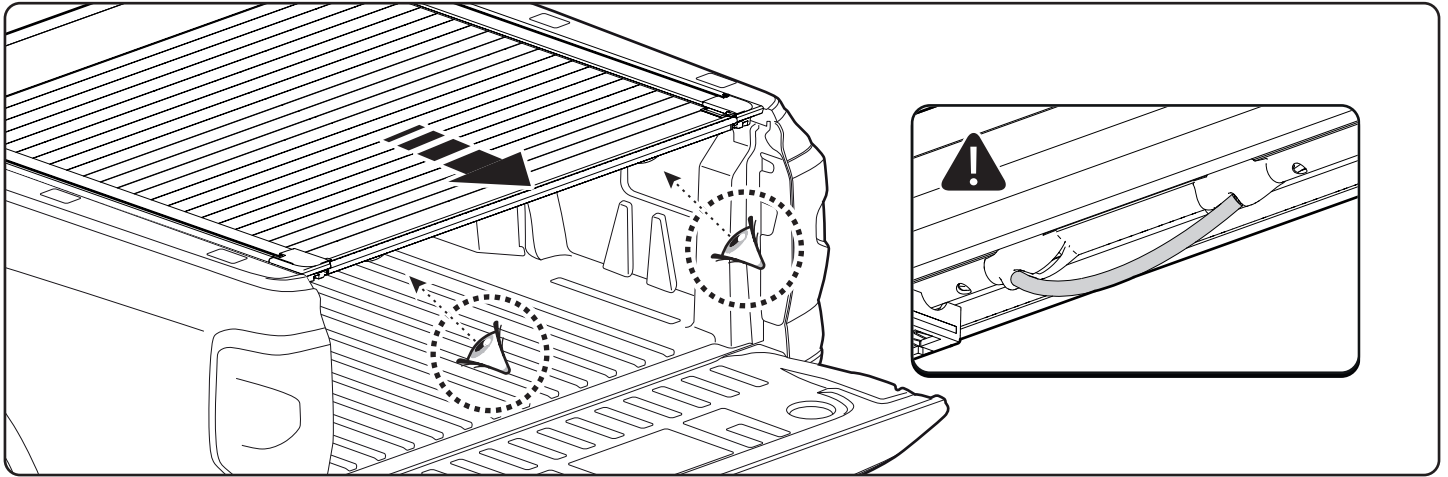


- Temperatures can be very high under the cover when closed.
- We do not recommend washing the EVO roll cover in a brushless carwash, as the coating may be damaged due to use of chemicals.

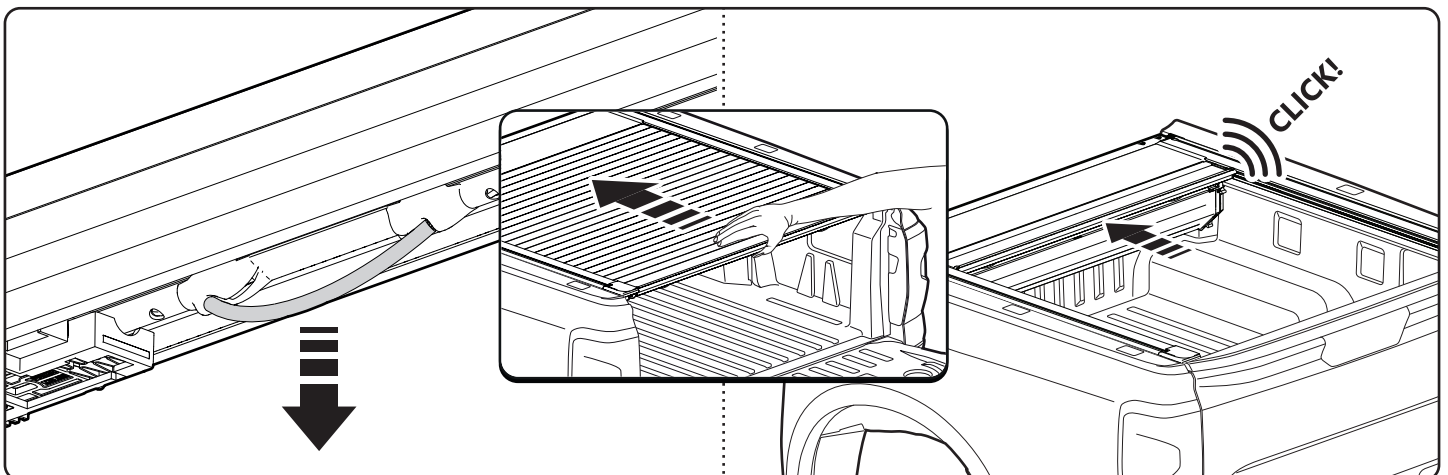
2**CONDITIONS OF USE**

- The Mountain Top EVO roll cover design is lightweight and not suitable for extreme usage.
- Designed to withstand rain water, some water ingress may occur.
- Dust can enter the compartment through various gaps.
- Due to profiles which relatively quick heats up and cools down according to weath conditions can cause condensation on the inside.
- The EVO roll cover is not designed for loading although it can support normal snow loads.
- Goods in the bed must be secured during transportation to prevent damage.

3 OPERATION EVOm

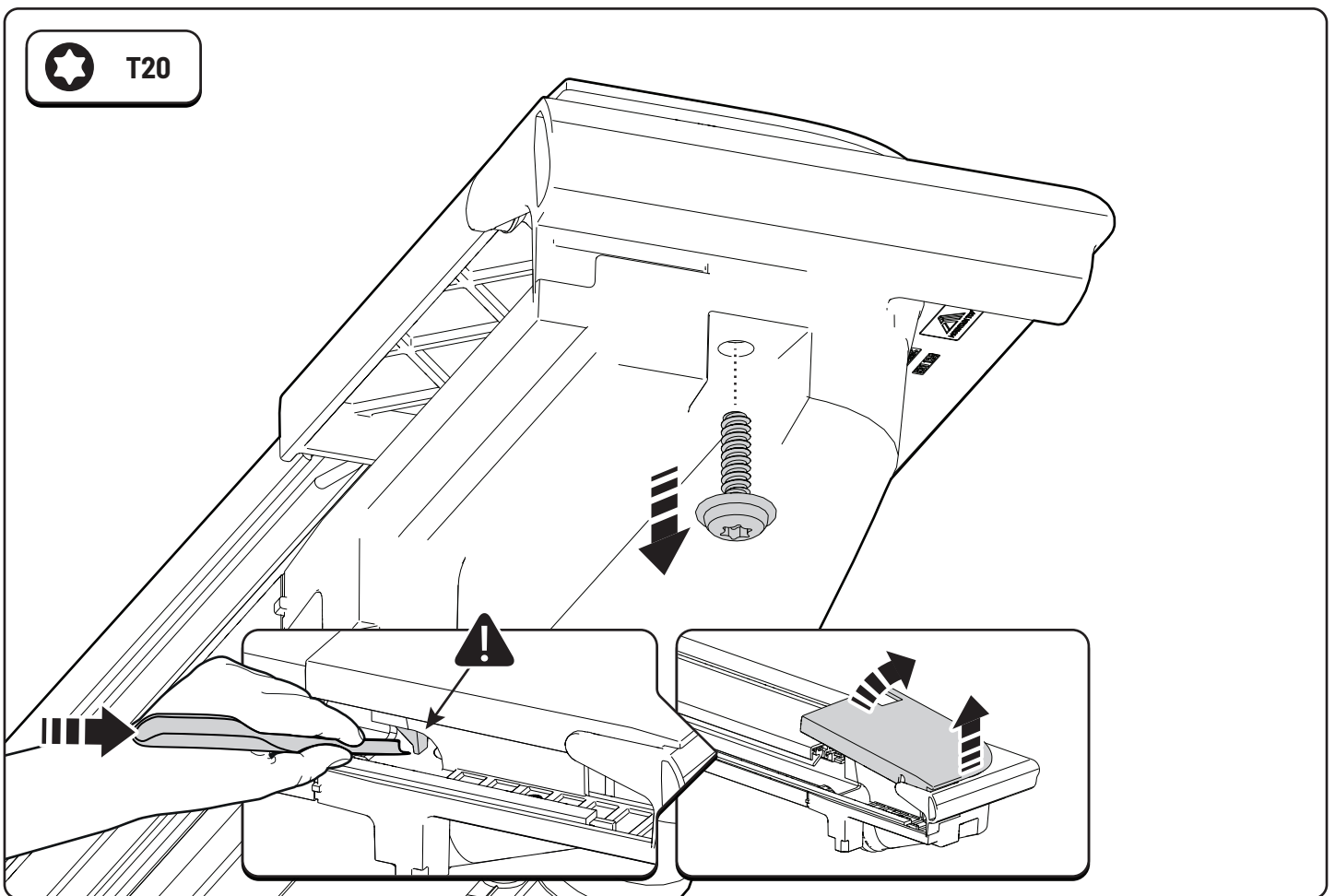
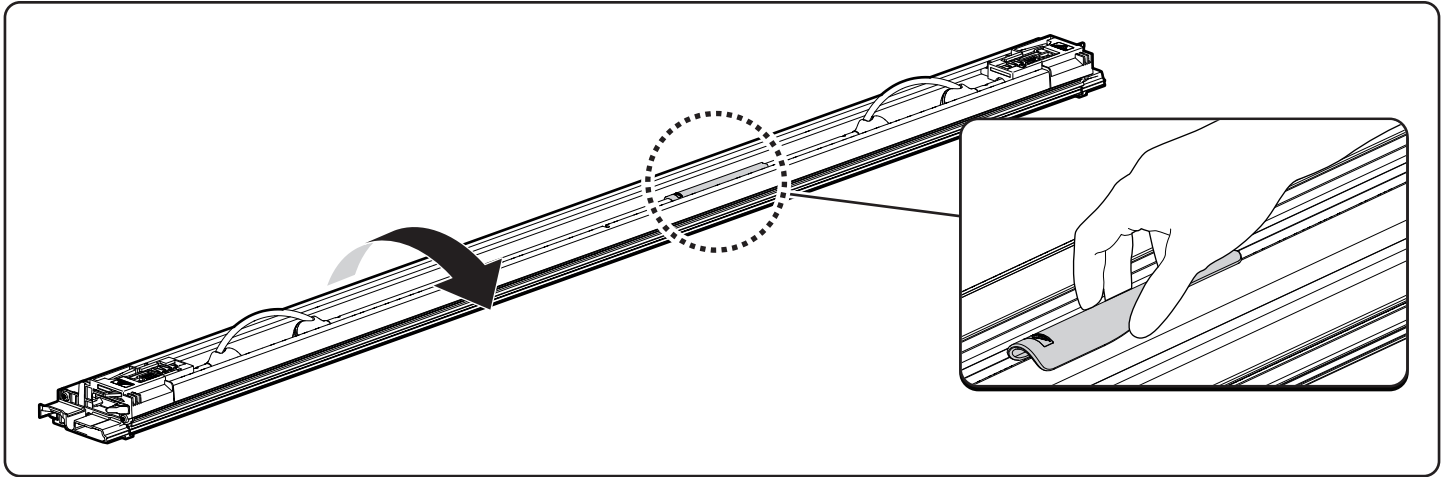


- Close

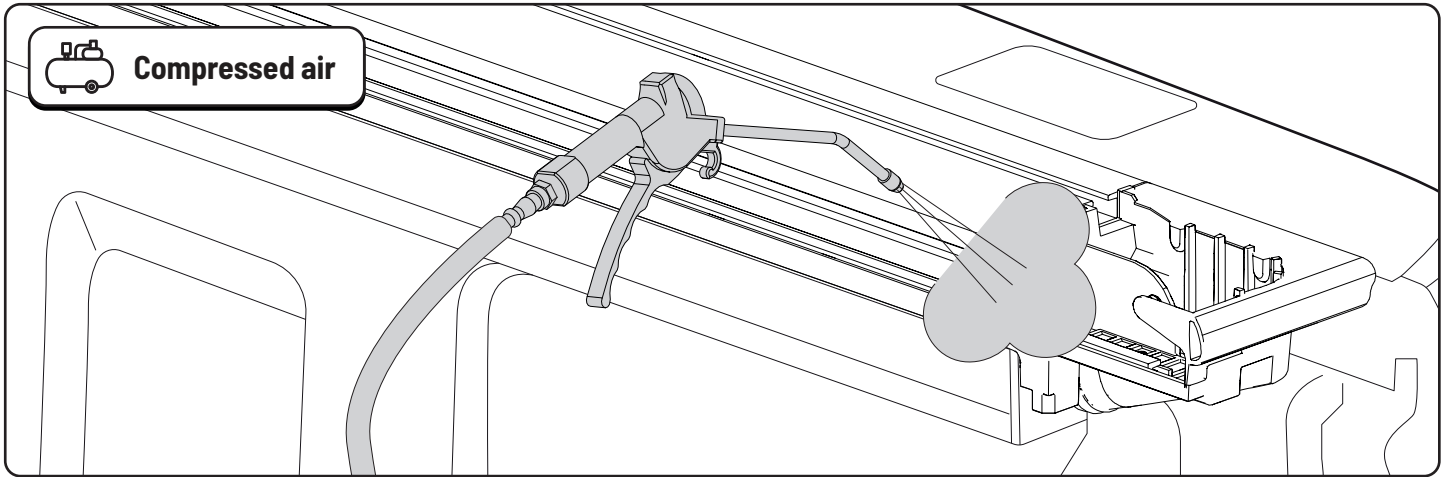


- Open
- When the EVOm roll cover is fully opened, a lock activator is automatically triggered, engaging the locking system.
- For the EVOm roll cover to close correctly, the locking system must be engaged before the cover is closed.

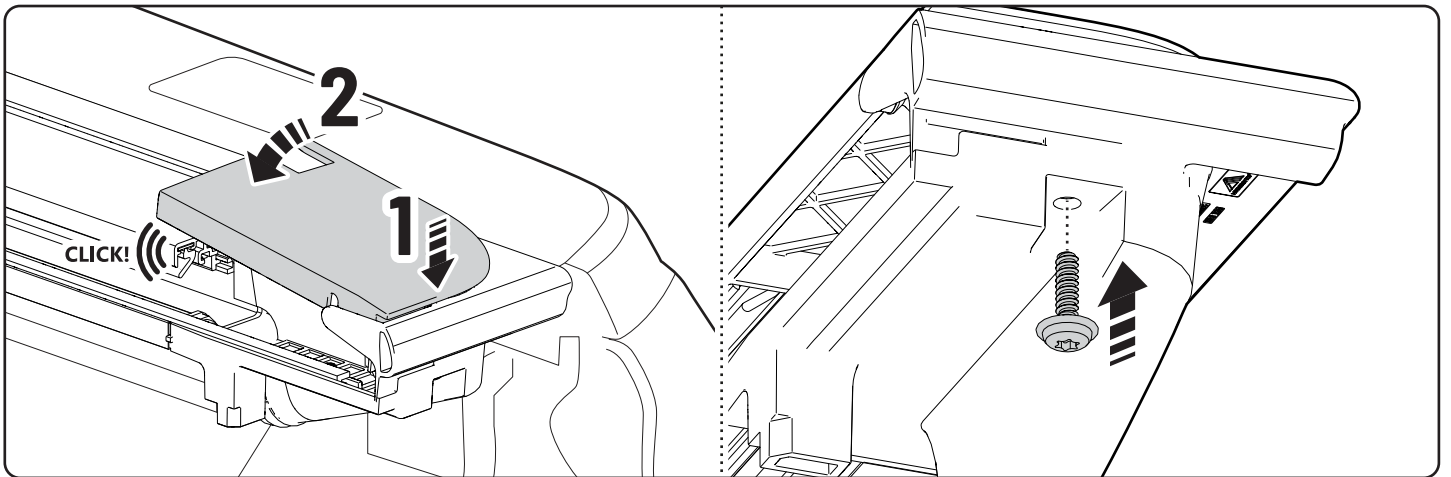
4 MAINTENANCE



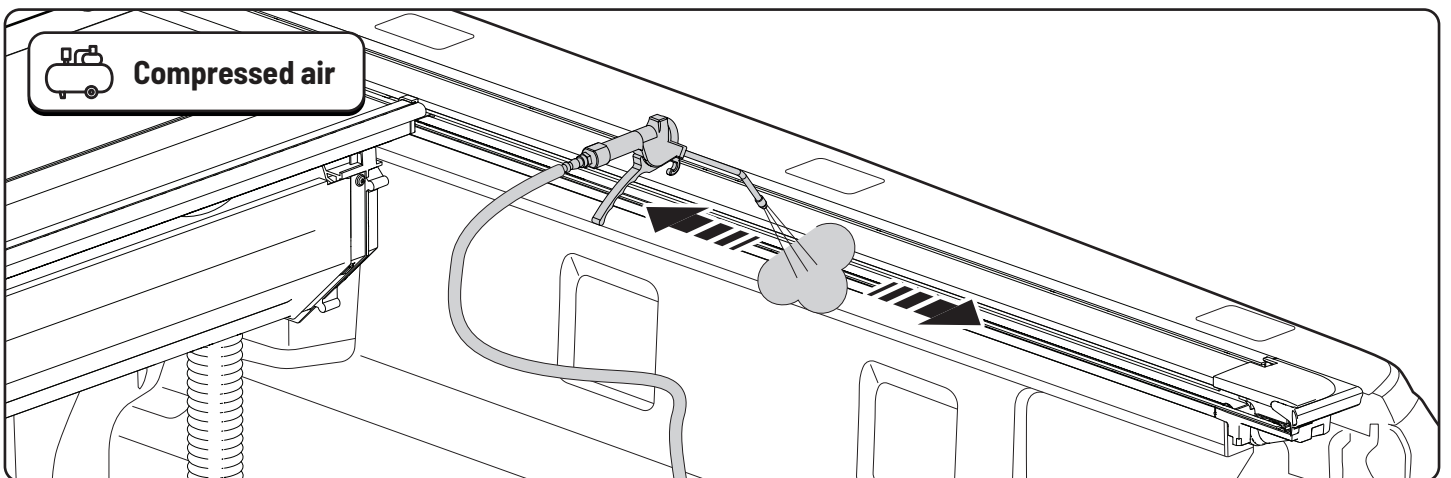
- Loosen screw and place to the side.
- Use the multi tool to remove the plastic covers on the side profiles.



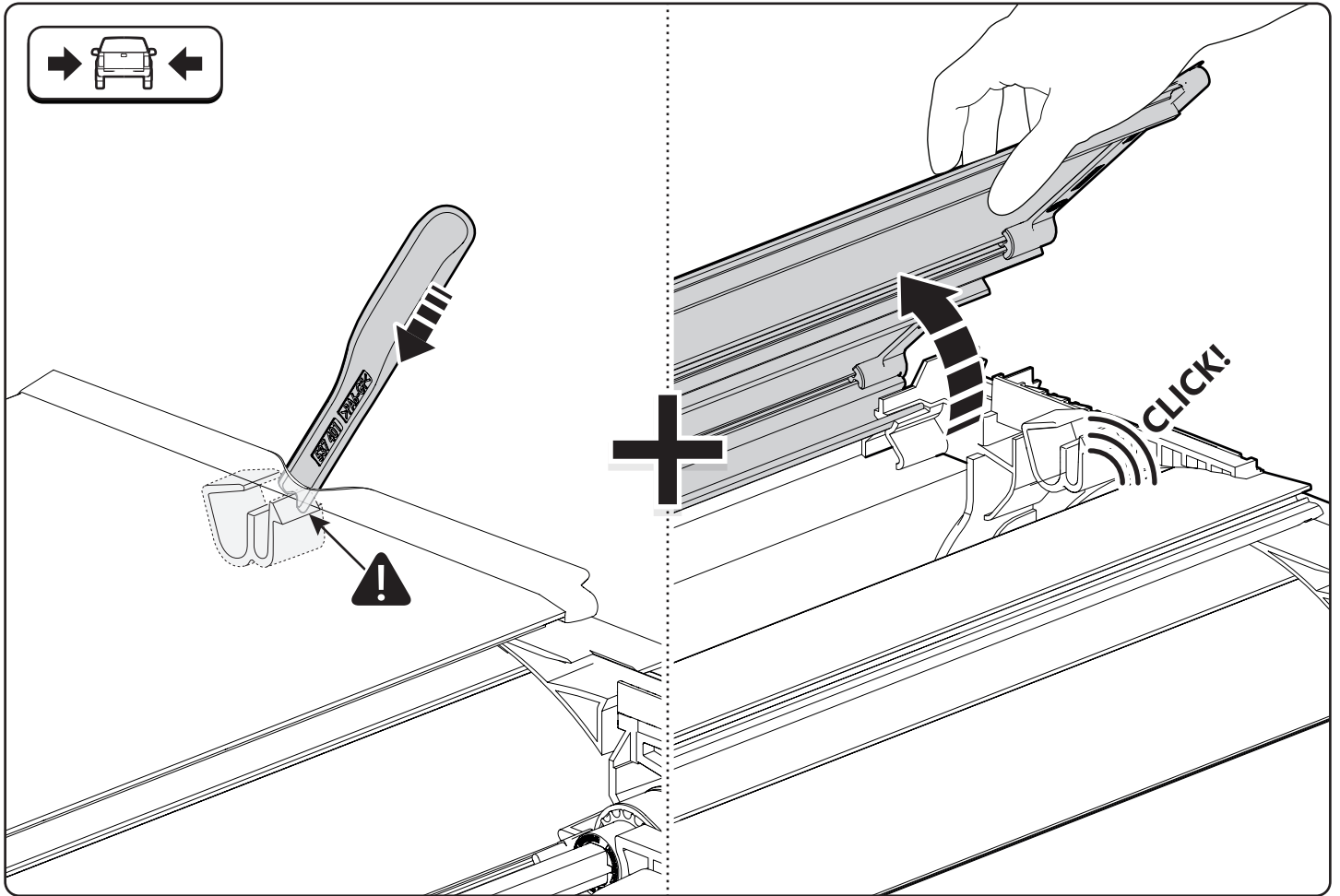
- Remove dirt and debris using compressed air.



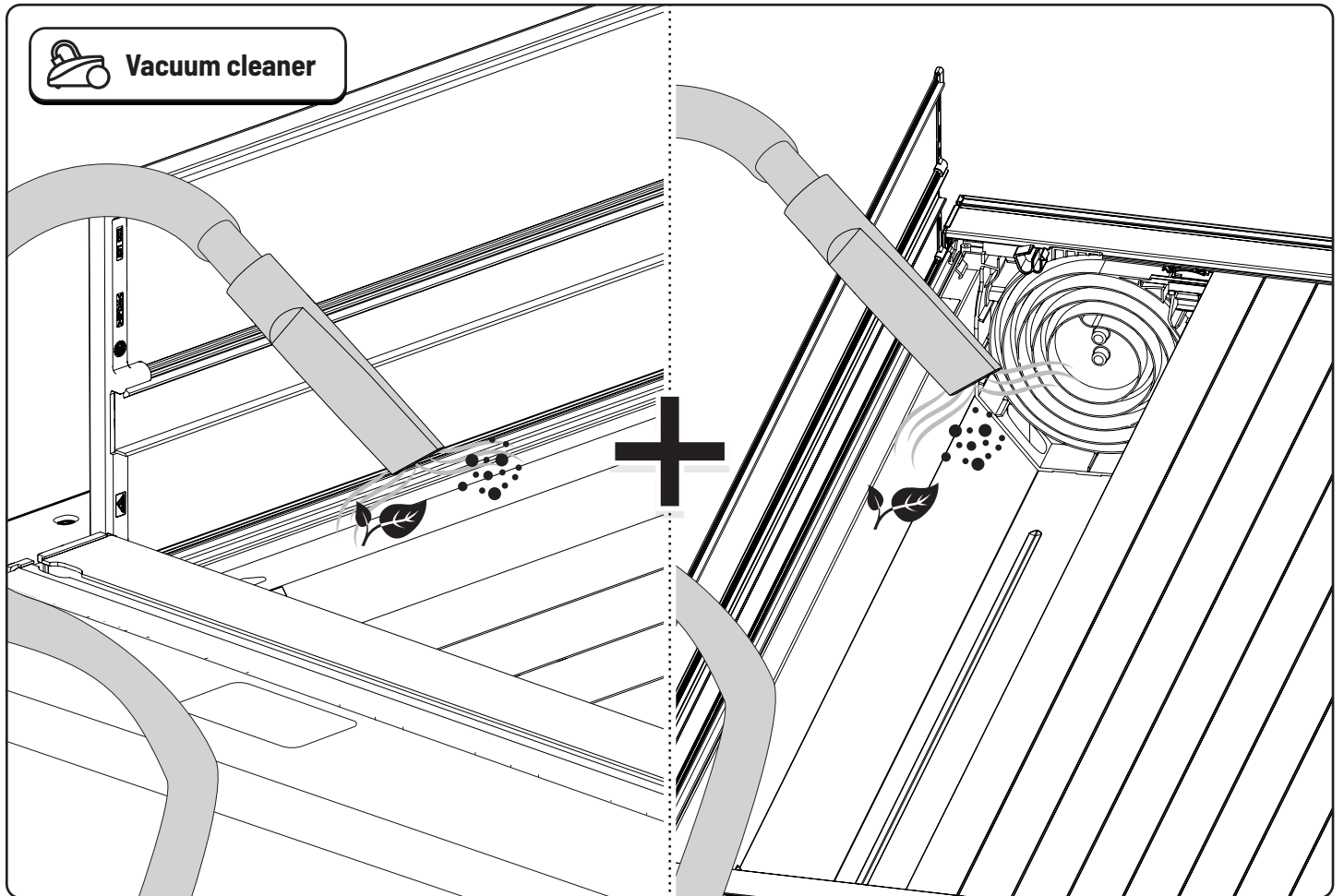
- Mount plastic covers.



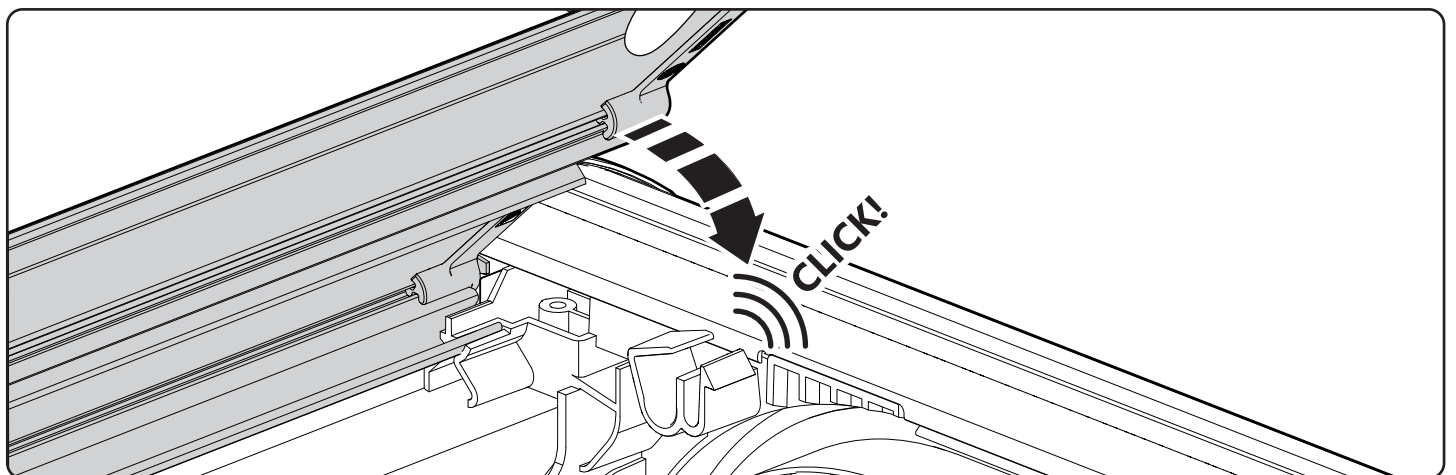
- Clean the side profiles.



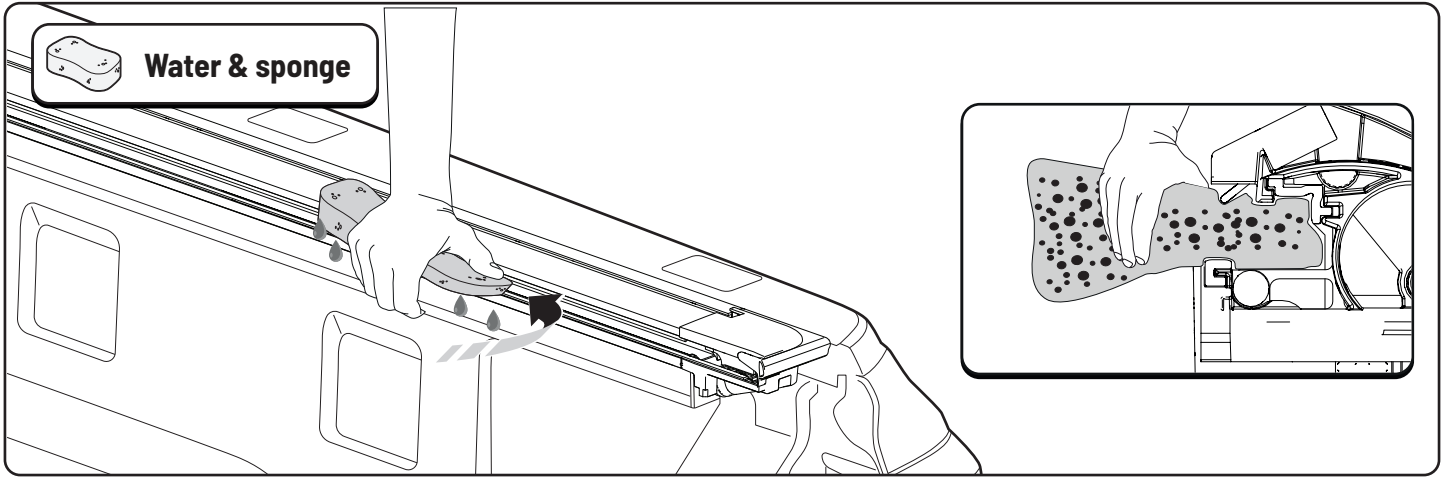
- Open the canister.



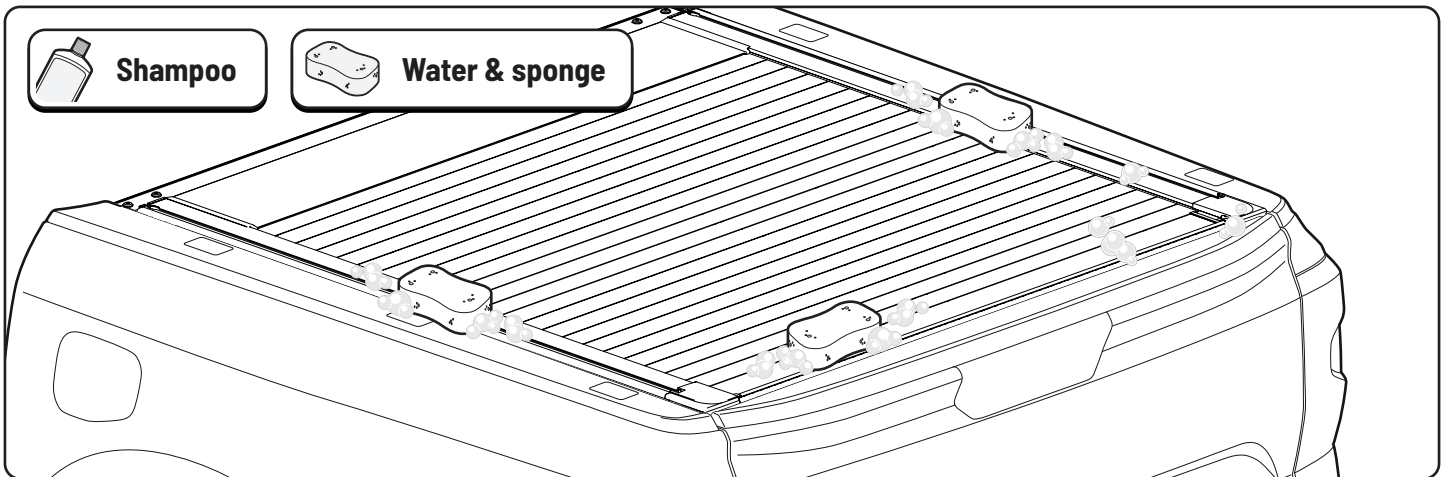
- Clean the canister.



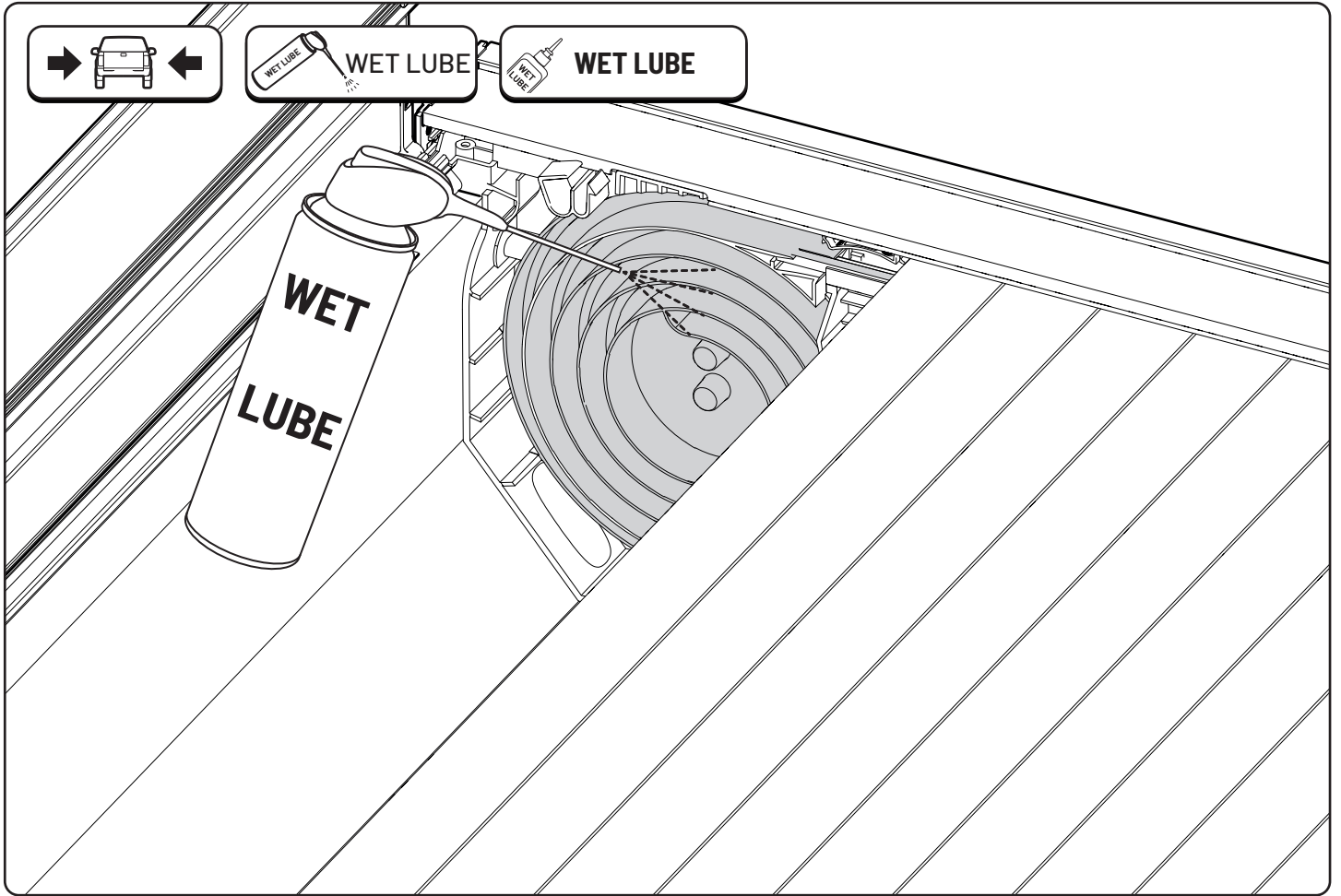
- Close the canister.



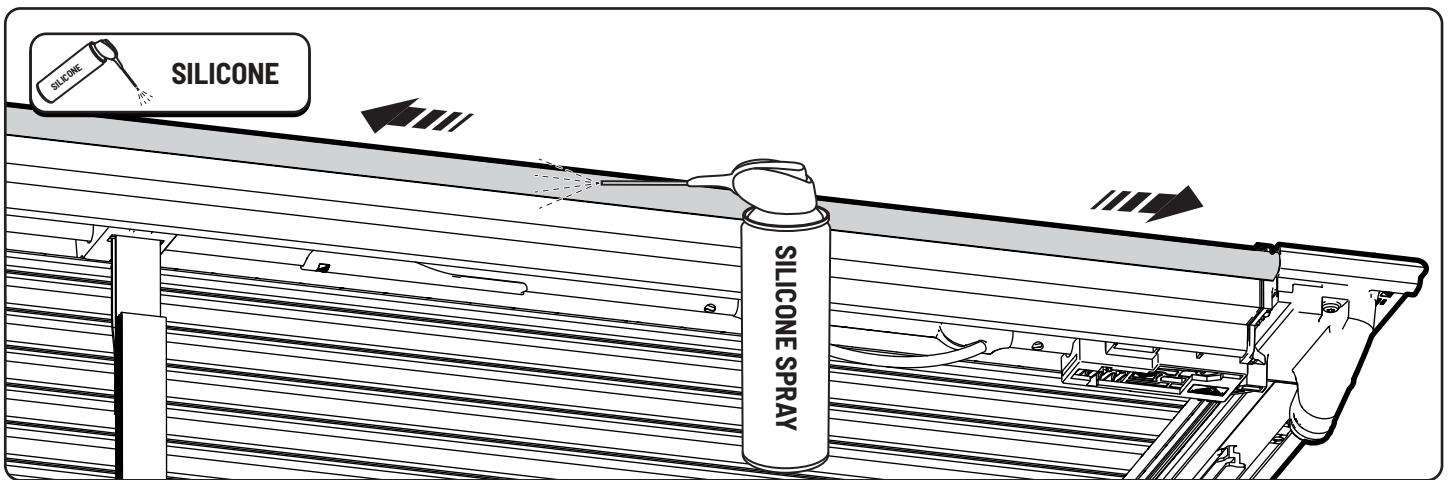
- Clean the drainage channels on the side profiles.



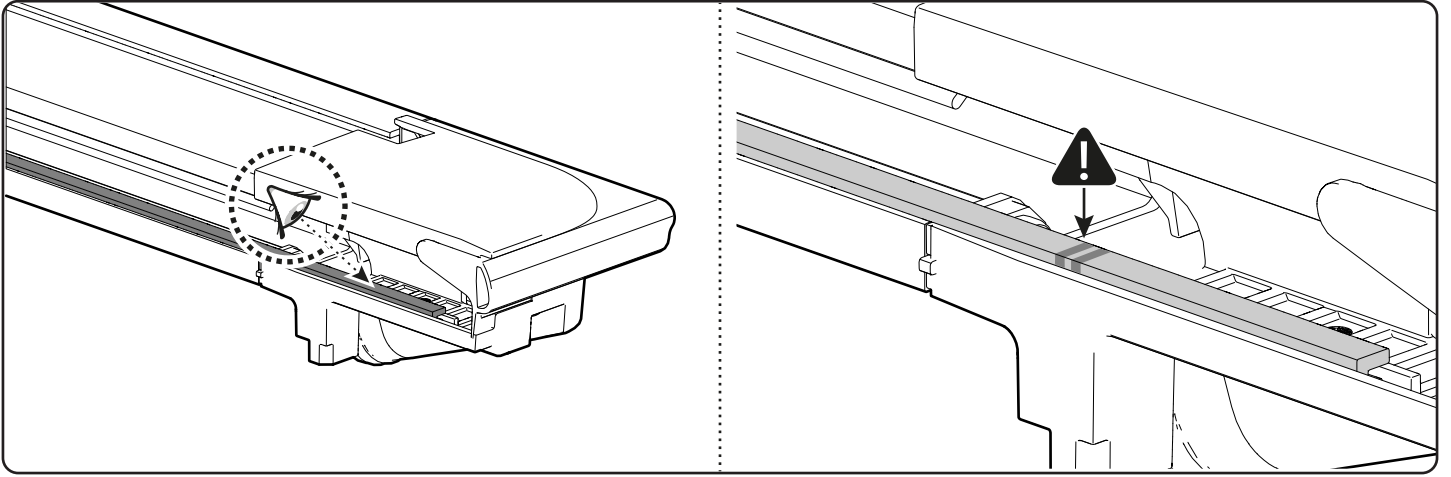
- The EVO roll cover should be cleaned regularly.



- Regularly, and following cleaning, apply a PTFE-free all-conditions wet lube product to the inside of the canister ends.

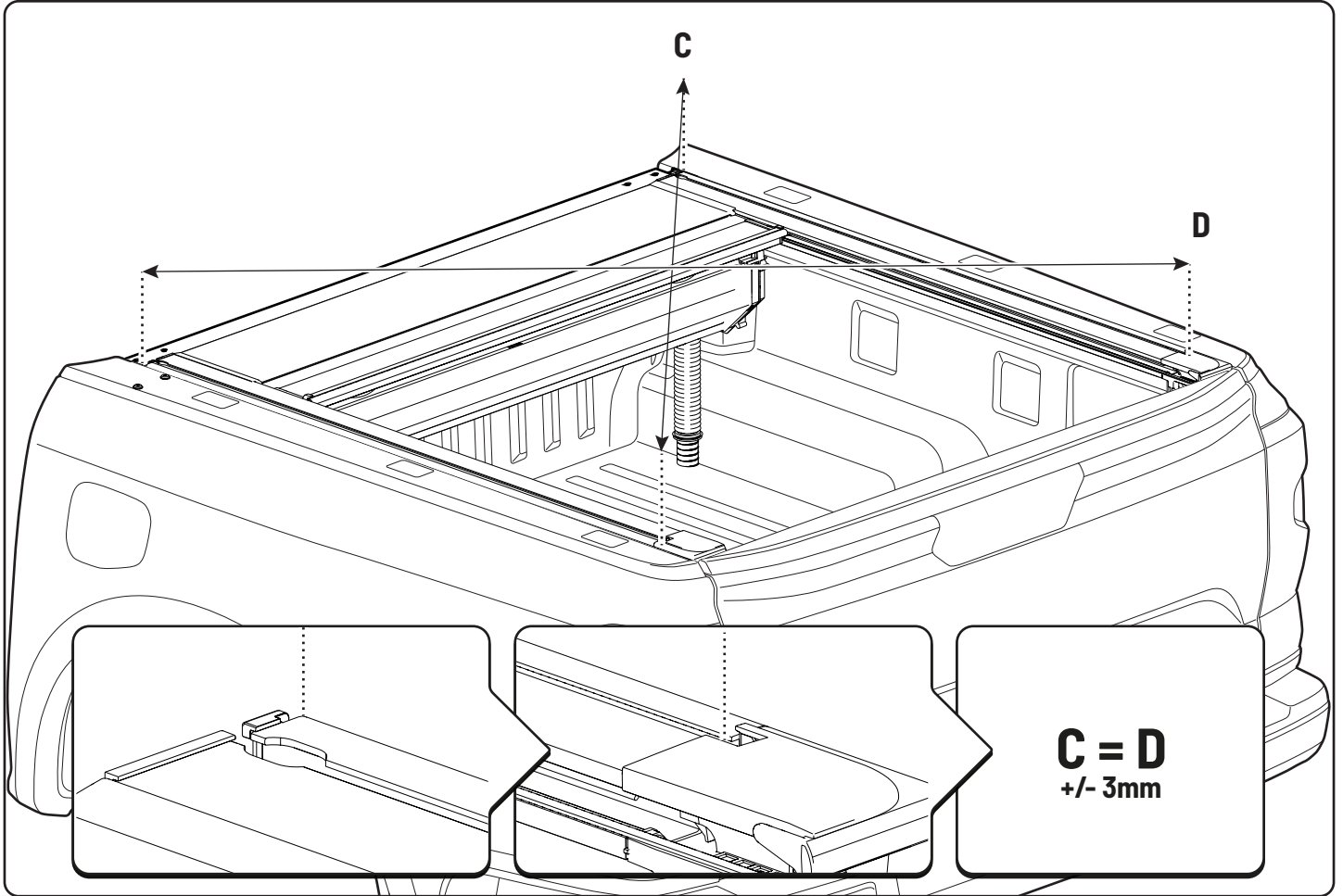


4 CHECK GLIDE RAILS MAINTENANCE

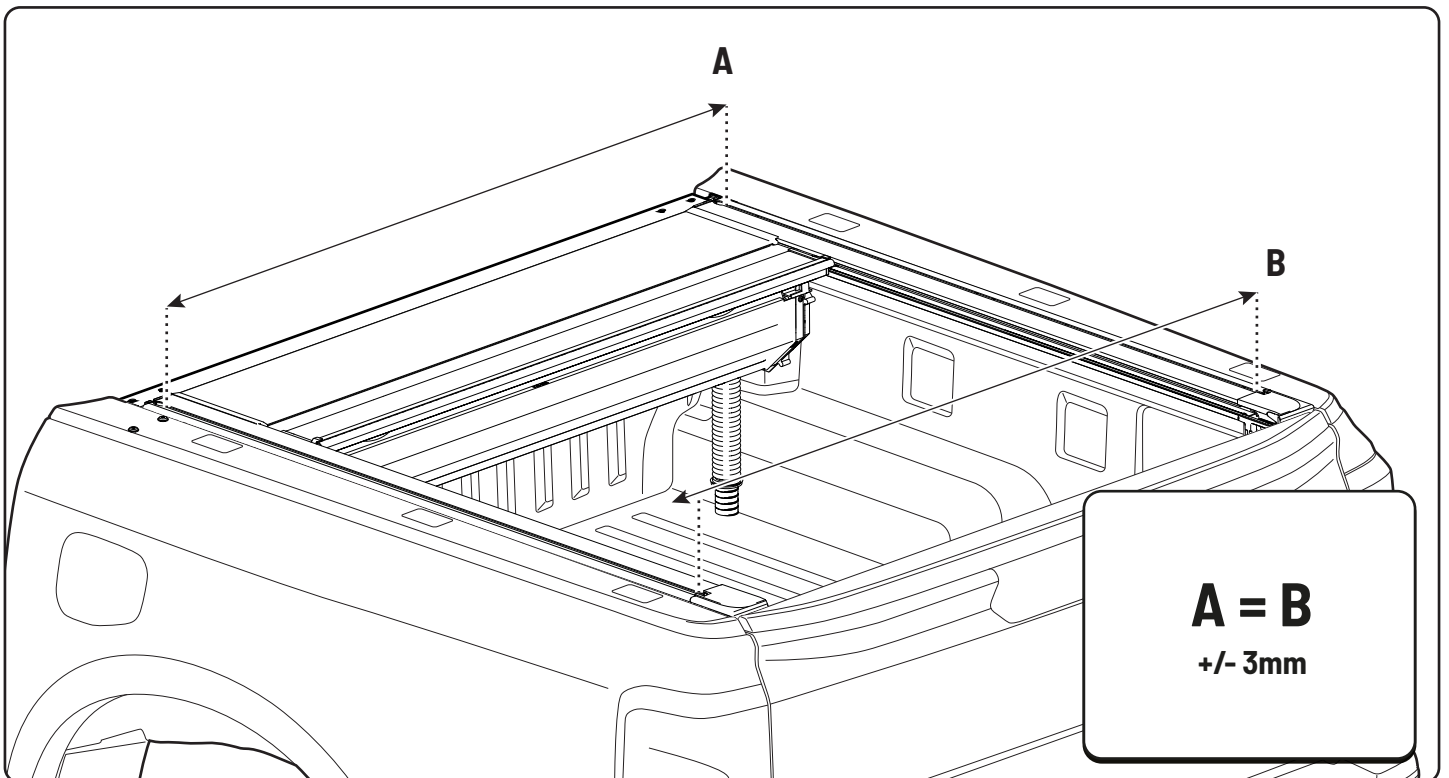


- If abnormal sounds occur during operation of the roll cover, inspect the glide rails for debris or damage. If the glide rails are damaged or worn, then replacement glide rails are needed.

5 CHECK MEASUREMENTS MAINTENANCE

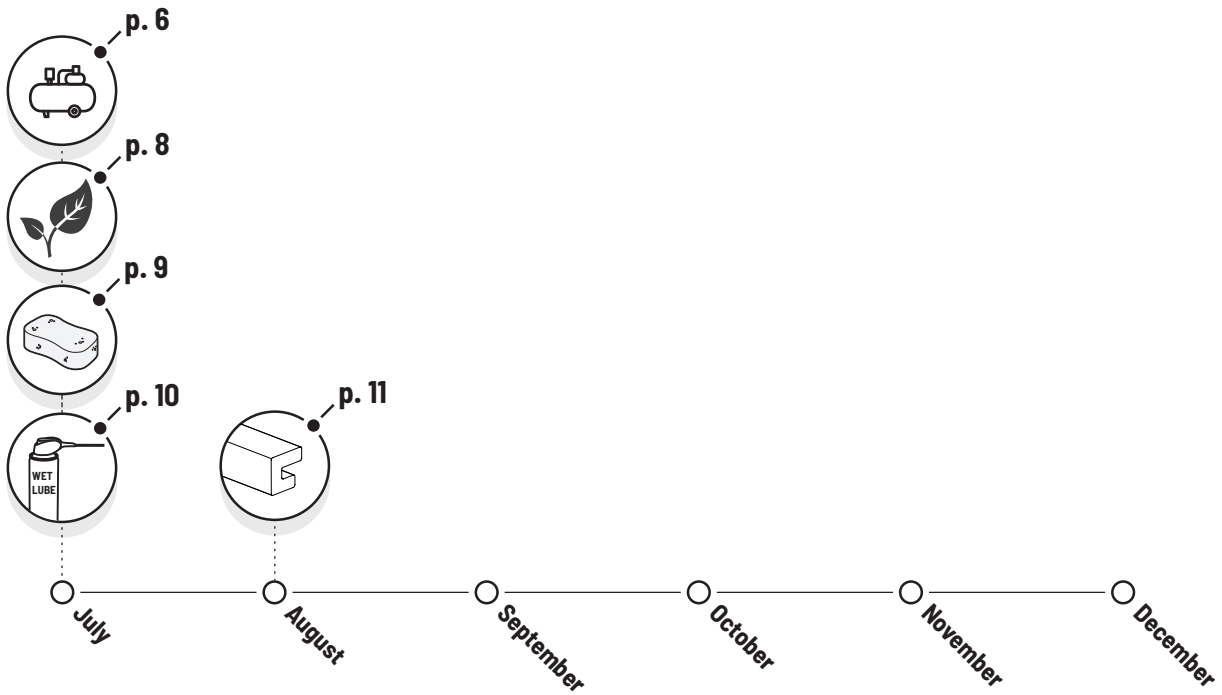
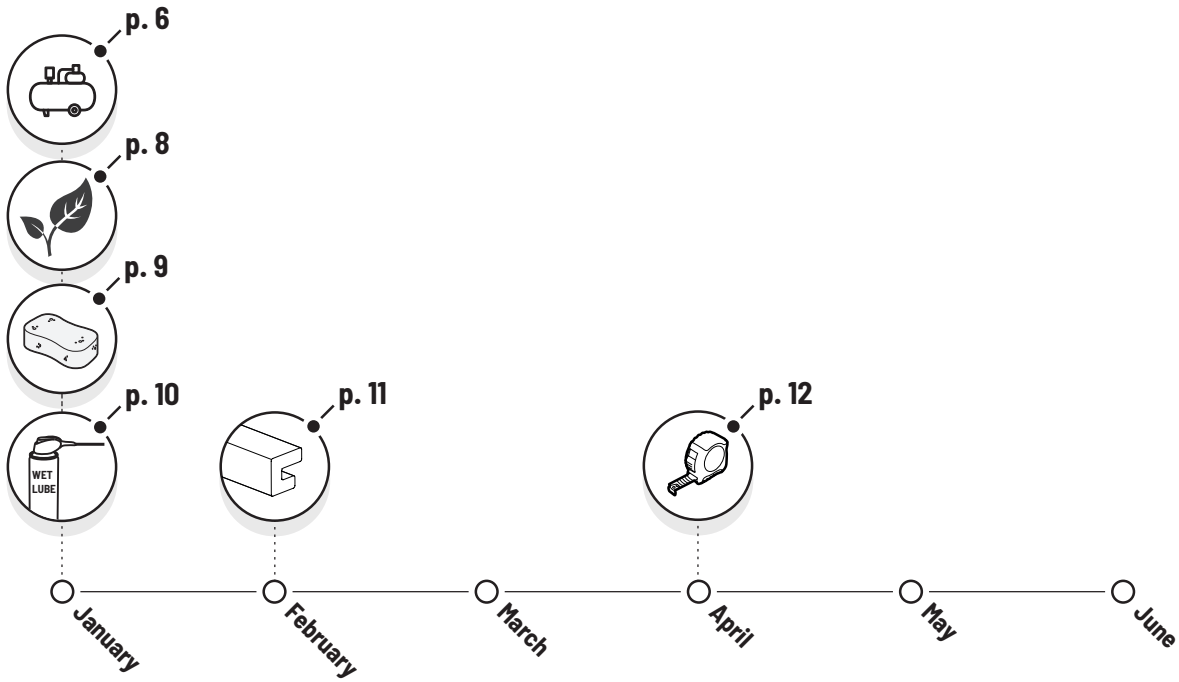


- Ensure the cross measurements are identical.



6

MINIMUM MAINTENANCE REQUIREMENTS



Recommended part change	Km	Years
Side profiles	100.000	3
Rear profiles	200.000	5

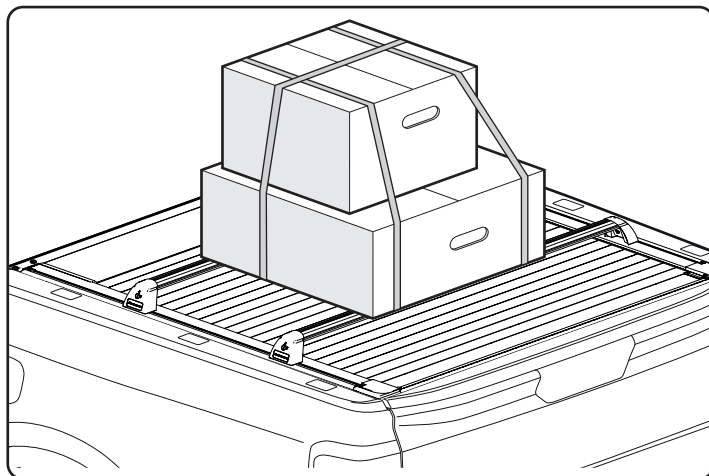
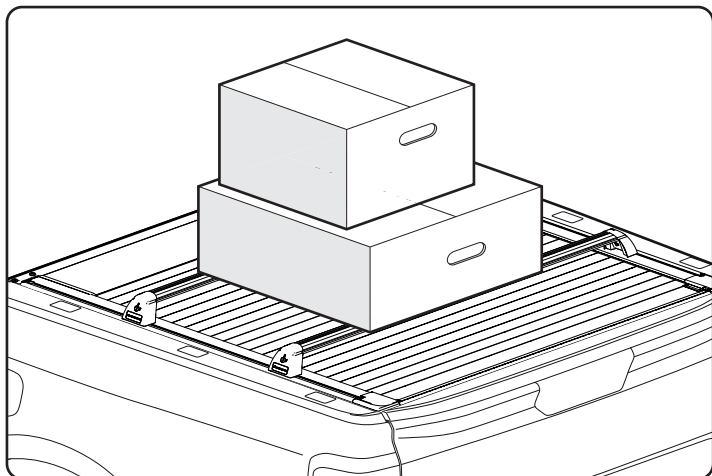
- Maintenance requirements and frequency depend on the actual usage of the roll cover and the environments and elements that it is exposed to.
- Clean and lubricate the cover accordingly to ensure the best possible operation and function.

Maintenance EVOm manager



Type of Maintenance	Date	Done by

ACCESSORIES



- Mountain Top Cargo Carrier combined load capacity of 45 Kg.
- See more accessories and spareparts www.mountaintop.dk.



Customer Service	+45 4810 2950 (08:00 - 16:00 CET)
Support	info@mountaintop.dk
Website	www.mountaintop.dk
Address	Pedersholmparken 10, 3600 Frederikssund, Denmark



Scan for more
information